

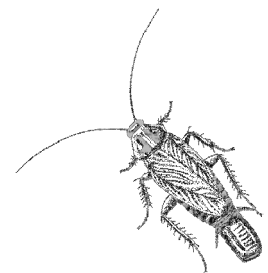
“Do not try to use the pin-stream for C+C treatments; everyone thinks they are capable of hitting the crevice with it ...
...but they don't.”

Bill Robinson



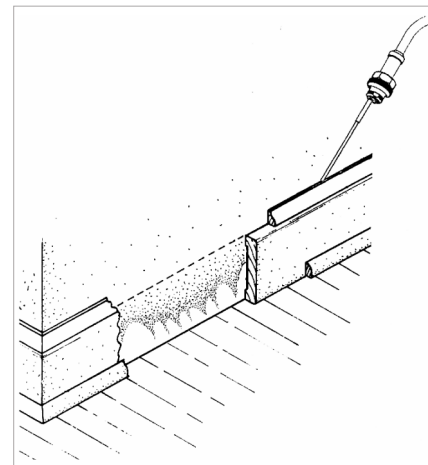
Sensitive accounts can be any infestation in a workplace or home where the people are sensitive to insecticides or even the thought of insecticides), where there is electrical and medial equipment, food preparation machines, and in health care and school facilities. In these sites it's not how much insecticide you use, but where you put it that gets results.

Sticky Traps. When placed close to infested (cockroach) harborages, sticky traps can be an effective non-chemical control tool, not simply a monitor. When the food lure is built into the glue (B&G Lo-Line) the trap emits a large amount of volatile attractant, which increases the catch rate. These traps can reduce infestations by removing males, females, and nymphs. When a large number of individuals are removed, the 'tipping point' of the infestation may be reached, and the numbers continue to decline. Traps may not provide long-term control, but the need for insecticide application might be limited to a few locations.



Baits. The use of only a few bait placements may be enough to eliminate a small cockroach problem around electrical or medical equipment. First, locate the infested harborages (sticky traps can help) and apply 1/4 or 1/2 gram placements to selected crevices. Using smaller placements diminishes their attractiveness, and larger amounts will be wasted. Small placements have much more surface area than volume and they lose water quickly. Water is the primary attractant to cockroaches, and few will come to small, dry placements. A single 1/4 gram placement can feed and kill a large number of German cockroaches, as many as 15 males, 5 females, and 45 large nymphs.

Crack-and-Crevice. Do not try to use the pin-stream for C+C treatments; everyone thinks they are capable of hitting the crevice with it, but they don't. C+C straws are designed for treating in crevices, and research shows that treating inside the haborage with a C+C straw increases control. Pull the trigger and move the straw along the length of the crevice to deliver a surface covering. The flow rate on the B&G C+C white straw is less than 1/4 the flow rate of the fine fan spray. If you're using the Accu-Spray Professional you'll have enough to treat all day.



No more tablets - just peel and place!

B&G Lo-Line Insect Traps now shipped **ready-to-use**

New!



Lo-line insect traps are well known for their high cockroach attractancy and trapping capabilities. Now they're **new and improved** to trap even more cockroaches and other pests.

No more tablets

New for 2010, **No more tablets!** We replaced the food attractant tablet with a special 2 step process that **"emits a large amount of volatile attractant, which increases the catch rate."**

Your Lo-Line insect traps arrive **ready-to-use**. Just peel back the protective paper and place where you want to control cockroaches. RTU Lo-Lines are fast and easy to use. And the large trapping surface (twice the trapping surface of a Catchmaster™ 288-I) means you can use less of them, saving material costs and production time.

Perfect for sensitive locations

This state-of-the-art insect trap is so good at attracting, trapping, and controlling cockroaches, they often can be used as stand alone devices in sensitive locations such as **schools, nursing homes, and hospitals**. Thus, in some situations, you can eliminate a pesticide application by substituting Lo-Line Insect Traps as your control device.

University of Wales research proven

Agrisense LTD, a major manufacturer of insect traps and pheromones in the UK designed the Lo-Line Insect Trap using data collected from the University of Wales,



30° ramp traps cockroaches before they have time to stop.

Cleppa Park Field Research Station, School of Pure and Applied Biology research.

That research proved the addition of 30° ramps significantly increase the number of cockroaches trapped. And the addition of highly volatile attractant specially built-in to the glue is irresistible to cockroaches.

Ordinary insect monitors let 50% get away

The University of Wales research also demonstrated that conventional traps with no ramp let ½ of the trapped cockroaches escape. The Lo-Line with its 30° ramps and highly volatile attractant is clearly superior in trapping more cockroaches, saving you time and effort.

Free sample

Would you like to try the Lo-Line insect trap? Give Robert Heiney a call at 800-544-8811 x131, or send an email to rheiney@bgequip.com and free samples will be rushed right out to you.

For technical assistance, please contact:

SE USA	Claude Thomas, PhD.	904-545-7125
NE USA	David Mathis	607-760-1661
Mid-West	Robert Heiney	678-688-5601 x131
West USA	Angel Cotton Associates	562-989-2400
Asia	William H. Robinson, PhD	540-382-9238

 cthomas@bgequip.com

 dmathis@bgequip.com

 rheiney@bgequip.com

 jcotton@angel-cotton.com

 brobinson@bgequip.com

