

FAST CATCH

Tamper Resistant Rodent Station

Instructions For Setting The Rodent Alert

1. Remove Cover from Base
2. On the outside of the cover push down on the red alert with finger.
3. While holding down the alert from the outside, take your other hand (fingers) and pull the alert down from the inside and at the same time pull the alert forward towards the front of cover. (Figure 1)
4. When the alert is set it should look like Figure 2.
5. Set Rodent Trap making sure trap is located in front of tabs on bottom of the station. (Figure 3) Snap trap should fit securely against the rear of the station.
6. Replace cover making sure tabs in rear of cover are properly inserted in hinges in base (below rods). When locking station push down firmly on front of cover until a "snapping sound" is heard.

CAUTION: Never use the Alert with a wood base Snap Trap.

**If you have problems
or questions, call B&G
at 800-544-8811**



135 REGION SOUTH DRIVE
JACKSON, GA 30233
Toll Free 800-544-8811

Phone 678-688-5601 • Fax 678-688-5633
www.bgequip.com

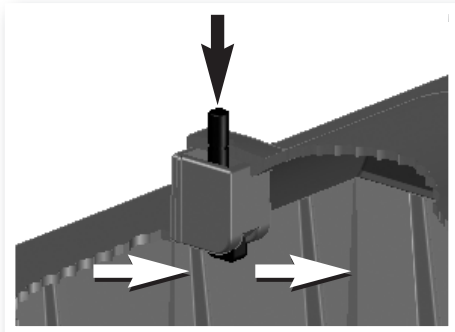


FIGURE 1

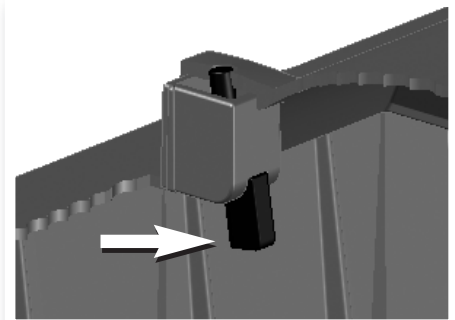


FIGURE 2

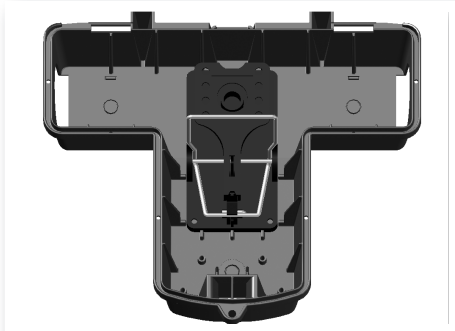


FIGURE 3