



TERMITE TOOLS (MANUAL NON-ELECTRIC)

PARTS GUIDE



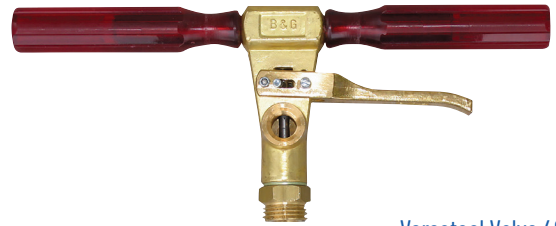
PG. 02
Robco QCG



PG. 02
SRG Gun



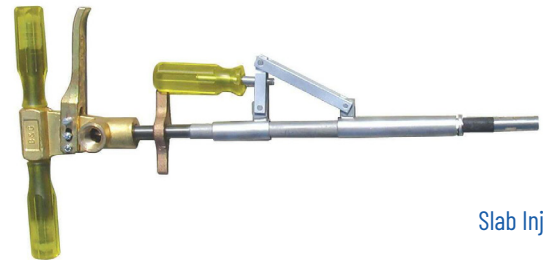
PG. 07
Trebor Plugs



PG. 03
Versatool Valve 400 Series



PG. 03
Versagun Valve 400 Series



PG. 05
Slab Injectors



PG. 07
TM-1 Termite Monitor

This Parts Guide is for tools from 2005 - current. For tools older than 2005, please scan QR code here:



SERIES 400 TERMITE KITS

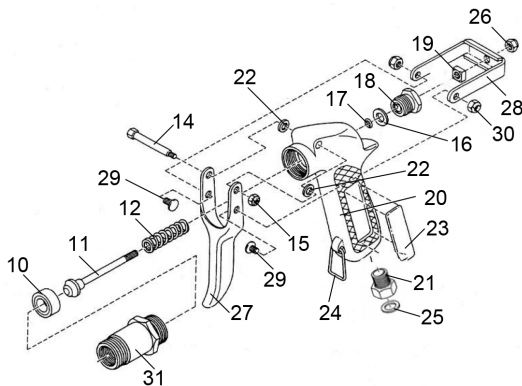
ROBCO QCG | SRG GUN



ROBCO QCG



Description	Legacy Part #	Order #
Robco Gun	22067700	1103002837
Robco 5-in-1 Kit 425 w/ tip shut-off	11007425	1103002814
Repair Kit: Includes 1 each of Items #11, 16, 17, 25	22067748	11030002841
Soil rodding tool with 40" rod and 454 5/8" soil rodding 360° 2 gpm tip	22067703	1103002839



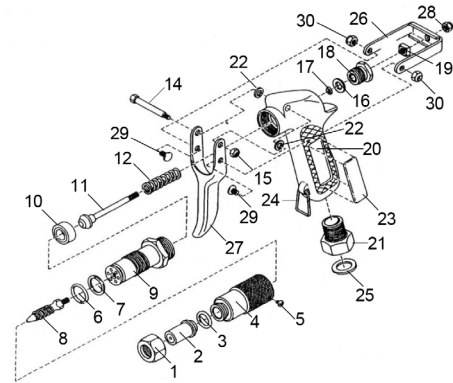
Parts

#	Description	Legacy Part #	Order #
10	Valve seat 34510	22067728	1603000114
11	Shutoff valve 34511	22067710	1603000100
12	Shutoff spring 34512	22067711	1603000101
14	Pivot bolt 34514	22067712	1203000116
15	Pivot bolt nut 34515-N	22067713	1603000102
16	Gasket 34516-V	22067714	1603000103
17	O-ring 34517-V	22067715	1603000104
18	Gland nut 34518	22067716	1603000105
19	Valve stem nut 34519-S	22067717	1603000106
20	Handle 34520	22067718	1603000107
21	Adapter 34521	22067729	1603000115
22	Pivot bolt washer 34522	22067720	1603000109
23	Label 34590-Q	22067731	1603000117
24	Trigger lock 34596	22067721	1603000110
25	Gasket HWN	22067536	1603000097
26	Lock nut, valve stem 34519-N	22067722	1603000111
27	Trigger piece 34513-A	22067724	1203000118
28	Valve yolk 34513-B	22067725	1203000119
29	Trigger hinge bolt 34513-C	22067726	1603000112
30	Hinge bolt nut 34513-D	22067727	1603000113
31	Adapter 34563	22067737	1603000121
N/S	Cone jet assembly 34606-6	22067749	1103002842
N/S	Cone jet assembly 34606-12	22067875	1103002847
N/S	Trigger assembly 34513	22067723	1203000117

SRG GUN



Description	Legacy Part #	Order #
SRG-6 Gun Model (6 gal/min)	22067701	1103002838
SRG-12 Gun Model (12 gal/min)	22067897	1103002848
Repair Kit: Includes 1 each of Items #3, 6, 7, 16, 17, 25	22067848	1103002844



Parts

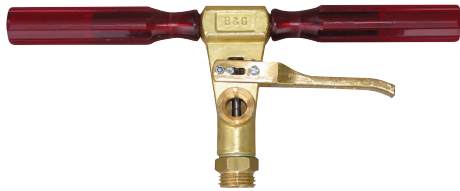
#	Description	Legacy Part #	Order #
1	Nozzle nut 34501	22067738	1203000120
2	Nozzle orifice 34502-6	22067739	1203000121
2	Nozzle orifice 34502-12	22067838	1203000148
3	O-ring P-14 34503-V	22067740	1603000122
4	Adj. sleeve 34504	22067741	1603000344
5	Sleeve screw 4505	22067742	1603000123
6	O-ring P-18 34506-V	22067743	1603000124
7	Back-up o-ring 34507	22067744	1603000125
8	Pattern valve 34508	22067745	1603000126
9	Valve body 34509	22067746	1603000335
10	Valve seat 34510	22067728	1603000114
11	Shutoff valve 34511	22067710	1603000100
12	Shutoff spring 34512	22067711	1603000101
13	Trigger Assembly 34513	22067723	1203000117
14	Pivot bolt 34514	22067712	1203000116
15	Pivot bolt nut 34515-N	22067713	1603000102
16	Gasket 34516-V	22067714	1603000103
17	O-ring 34517-V	22067715	1603000104
18	Gland nut 34518	22067716	1603000105
19	Valve stem nut 34519-S	22067717	1603000106
20	Handle 34520	22067718	1603000107
21	Adapter 34521	22067729	1603000115
22	Pivot bolt washer 34522	22067720	1603000109
23	Label 34590-Q	22067731	1603000117
24	Trigger lock 34596	22067721	1603000110
25	Gasket HWN	22067536	1603000097
26	Lock nut, valve stem 34519-N	22067722	1603000111
27	Trigger piece 34513-A	22067724	1203000118
28	Valve yolk 34513-B	22067725	1203000119
29	Trigger hinge bolt 34513-C	22067726	1603000112
30	Hinge bolt nut 34513-D	22067727	1603000113
27-30	Trigger assembly	22067723	1203000117

SERIES 400 TERMITE KITS

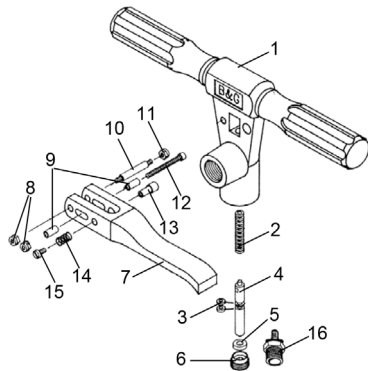
Versatool | Versagun Valve



VERSATOOL VALVE 400 SERIES



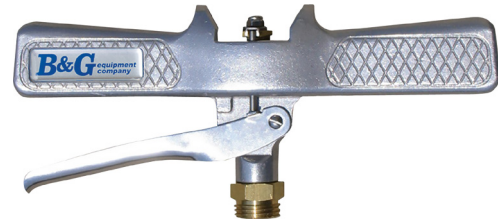
Description	Legacy Part #	Order #
Made in 2005 or Later		
Versatool Valve only	11007407	1203000081
Versatool Kit 415 w/ tip shut-off	11007415	1103002812
Repair Kit: Includes 1 each of Items #6, 8, 14, 5, 9 and 2 each of #3	22028910	1103002835
Made in 2005 or Earlier		
Versatool Valve only (pre-2005)	22071649	1603000061



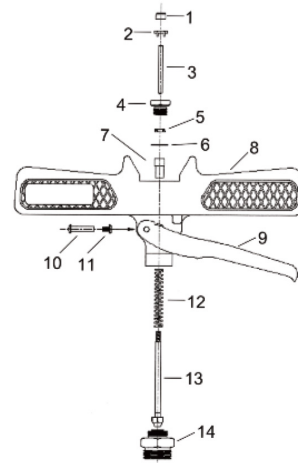
Parts (Made in 2005-present)

#	Description	Legacy Part #	Order #
1	Valve body	22071644	1203000209
2	Spring rod	22059700	1603000071
3	O-ring	33000090	1608004070
4	Valve rod	22059800	1603000073
5	Seat gasket	22060000	1603000075
6	Seat gasket holder	22060100	1203000096
7	Valve trigger	22059000	1203000095
8	Hex nut	22040500	1608003709
9	Spacer	22071038	1603000141
10	Trigger pin	22058800	1203000093
11	Hex nut	22040500	1608003709
12	Rod screw	22059100	1603000065
13	Trigger lock	22059400	1603000068
14	Trigger lock spring	22059500	1603000069
15	Trigger lock screw	22059600	1603000070
16	Adapter	22067518	1603000334
17	Threaded washer	95144402	1608004386

VERSAGUN VALVE 400 SERIES



Description	Legacy Part #	Order #
Versagun Valve only	11007406	1203000080
Versagun Kit 435 w/ tip shut-off	11007435	1103002817



Parts (made in 2010 or later)

#	Description	Legacy Part #	Order #
1	#10-24 hex nut	29103309	1608004009
2	Actuator block	22067513	1603000091
3	Actuator pin	22067512	1603000090
4	Packing screw	22067511	1603000089
5	U-cup seal	22067510	1603000088
6	Viton seal	22067508	1603000086
7	Spring spacer	22067509	1603000087
8	Valve body	22067575	1603000099
9	Valve trigger	22067515	1603000092
10	Screw housing	22043200	1208004903
11	Trigger screw	22043000	1208004906
12	Compression spring	22055447	1608003845
13	Shut-off assembly	22067522	1603000094
14	Soft-seat adapter	22067521	1203000114

SERIES 400 TERMITE KITS

Tips | Rodding Pipes | Cone Seals



TIPS



Description	Legacy Part #	Order #
Standard tip kit, all 2 gpm listed below	22067997	1203000166

Parts

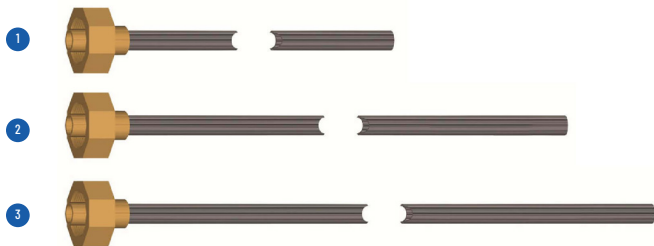
#	Description	Legacy Part #	Order #
1	451 7/16" 360° 2 gpm	11007451	1203000083
2	453 7/16" 180° 2 gpm	11007453	1203000085
3	454 5/8" Soil rodding 360° 2 gpm	11007454	1603000031
4	457 7/16" Void 2gpm	11007457	1203000086

Optional Termite Tips (all 1 gpm)

Description	Legacy Part #	Order #
452 7/16" 180° 1 gpm	11007452	1203000084

RODDING PIPES

RODDING PIPES (INCLUDED IN 400 SERIES KITS)



Parts

#	Description	Legacy Part #	Order #
1	12" x 7/16"	22071427	1203000195
2	40" x 7/16"	22071428	1203000196
3	40" x 5/8"	22071429	1203000197

EXTENDA PIPES

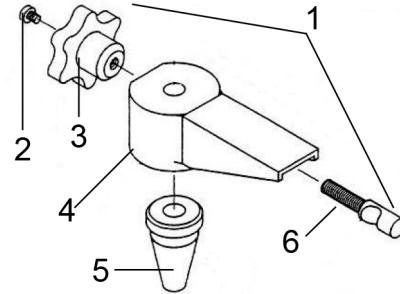


Parts

#	Description	Legacy Part #	Order #
1	465 40" x 5/8"	11007465	1103002819
2	460 40" x 7/16"	11007460	1103002818

ADJUSTABLE CONE SEALS

ADJUSTABLE CONE SEAL 7/16" OR 1/2"



Parts

#	Description	Legacy Part #	Order #
1	Adjustable Cone Seal 7/16"	22071716	1203000220
	Adjustable Cone Seal 1/2"	22071775	1203000222
2	Retaining Screw 1145	22071045	1603003880
3	Lock Knob 1380	22071380	1203000178
4	Foot Ram ACS30	22071776	1603000156
5	Cone Seal 7/16"	22071715	1603000150
	Cone Seal 1/2"	22071715	1603000150
6	Lock Bolt 1381	22071381	1603000144

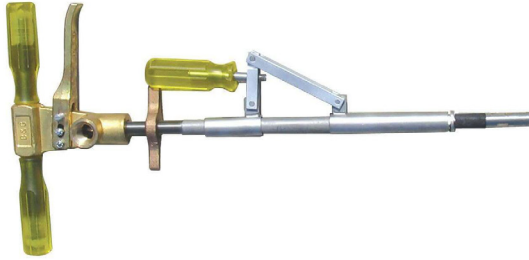
SLAB INJECTORS

SSI-4 | SSI-14

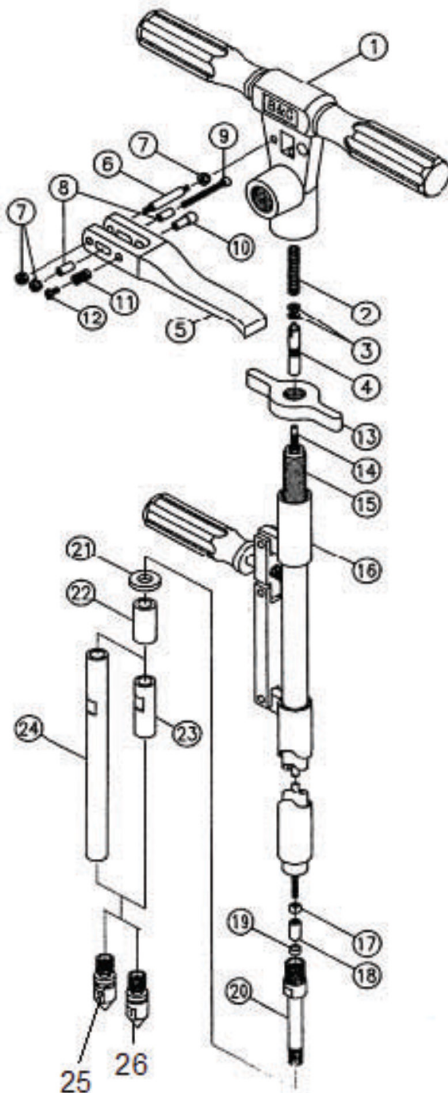


SLAB INJECTORS

SUB-SLAB INJECTORS (SSI-4 AND SSI-14)



Description	Legacy Part #	Order #
SSI-4 with 18" x 1/2" rod	11005965	1103002808
SSI-14 with 28" x 1/2" rod	11005985	1103002809



Parts

#	Description	Legacy Part #	Order #
1	Valve assembly VT-610	22058900	120300094
2	Rod spring VT-618	22059700	160300071
3	O-ring 1-1964	33000090	1608004070
4	Valve rod 2673	22071973	1203000237
5	Valve trigger VT-611	22059000	1203000095
6	Trigger pin VT-609	22058800	1203000093
7	Hex nut TN-45	22040500	1608003709
8	Spacer 1138	22071038	1603000141
9	Rod screw VT-612	22059100	1603000065
10	Trigger lock VT-615	22059400	1603000068
11	Trigger spring VT-616	22059500	1603000069
12	Trigger screw VT-617	22059600	1603000070
13	Wing nut	22065300	1203000100
14	Extension rod for SSI-4 2674	22071974	1203000238
14	Extension rod for SSI-14 2675	22071975	1203000239
15	Shaft for SSI-4 2668	22071968	1203000235
15	Shaft for SSI-14 2669	22071969	1203000236
16	Lock sleeve for SSI-4 400	22065400	1203000101
16	Lock sleeve for SSI-14 500	22065500	1203000108
17	Seat stem lock nut SSL-157	22045900	1208001197
18	Seat stem 2676	22071976	1203000240
19	Seat gasket 2677	22071977	1203000241
20	Stud 2678	22071978	1203000242
21	Compression ring #5	22065600	1603000079
22	Expansion ring gasket #6	22065800	1603000080
23	Tip adapter 1370	22071370	1203000176
24	6" extension LDT-36	22066136	1203000111
25	360°, 2 gpm tip 1390	22071390	1603000145
26	180°, 2 gpm tip 1542	22071642	1203000207

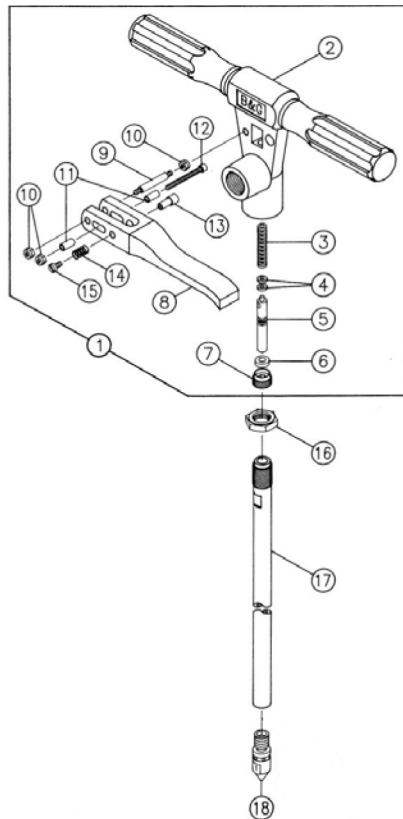
SLAB INJECTORS

Versatool Slab Injector 484



VERSATOOL SLAB INJECTOR 484

Description	Legacy Part #	Order #
Versatool Slab Injector 484	11007375	1103002810
Repair Kit: Includes 1 each of Items #4, 6, 7, 10, 11, 14	22028910	1103002835



Parts

#	Description	Legacy Part #	Order #
1	1549 Valve assembly	22071649	1203000210
2	1544 Valve body	22071644	1203000209
3	VT-618 Spring rod	22059700	1603000071
4	1-1964 O-ring	33000090	1608004070
5	VT-619 Valve rod	22059800	1603000073
6	VT-621A Seat gasket	22060000	1603000075
7	VT-622A Seat gasket holder	22060100	1203000096
8	VT-611 Valve trigger	22059000	1203000095
9	VT-609 Trigger pin	22058800	1203000093
10	TN-45 Hex nut	22040500	1608003709
11	1138 Spacer	22071038	1603000141
12	VT-612 Rod screw	22059100	1603000065
13	VT-615 Trigger lock	22059400	1603000068
14	VT-616 Trigger lock spring	22059500	1603000069
15	VT-617 Trigger lock screw	22059600	1603000070
16	Adapter	22070917	1203000170
17	1340 Pipe assembly (40")	22071940	1203000231
18	1390 Tip (360 degree, 2 gpm)	22071390	1603000145
18	1542 Tip (180 degree, 2 gpm)	22071642	1203000207
N/S	Check valve assembly (fits between parts 17 and 18)	22071950	1203000232
N/S	Adjustable Cone Seal	22071716	1203000220

TM-1 TERMITE MONITOR



Description	Legacy Part #	Order #
Custom private label printed in white ink (2688 stations/pallet)	26000102	1101002282
Unprinted	26000100	1101002281
90 pack replacement stakes	26000013	1101002280
100 pack replacement cardboard inserts	26000009	1101002278

TREBOR PLUGS



Description	Legacy Part #	Order #
3/8" seal (2500/case)	45000375	1103002862
1/2" seal (2500/case)	45000500	1103002863
9/16" seal (2500/case)	45000562	1103002864

CONTACT

Contact your local distributor or Pelsis country-specific location for information on spares and service.

US: B&G Equipment, 135 Region South, Jackson, GA, 30233, USA

Contact Number: 1-800-544-8811

Email Address: CustomerService@BGEquip.com

UK: Pelsis Ltd, Sterling House, Grimbald Crag Close, Knaresborough, HG5 8PJ, UK.

Contact Number: +44 (0) 800 988 5359

Europe: Pelsis Belgium NV, Industrieweg 15, 2880, Bornem, Belgium.

Contact Number: +32 (0) 3 886 22 11

All Other Countries: B&G Equipment, 135 Region South, Jackson, GA, 30233, USA

Contact Number: 1-678-688-5601

Email Address: CustomerService@BGEquip.com



SCAN THIS QR CODE
FOR A DIGITAL VERSION OF THIS PARTS GUIDE