



ROBCO SOIL RODDING TOOL USER'S MANUAL

Safety Precautions

- Connect the tool to the supply hose and be certain the trigger is in the off position before turning on the pump.
- Do not adjust the tip while depressing the valve trigger.
- Before removing the tool from the supply hose, be certain to shut off pump and relieve pressure in the hose by depressing the trigger.
- Do not leave the tool unattended when the valve is in the ON position.
- Wear personal protection equipment that protects hands, face, eyes, and mouth.
- Read and follow all label directions on liquid termiticides before making an application.

Before Starting

- Inspect the hose, hose connections to the valve and the pump, injection pipe, and nozzle for signs of wear or damage. These parts must be in full working condition for proper application.
- It is recommended that this tool is used at low (25 psi) pressure, and that liquid termiticides are applied at low pressure.

Operation

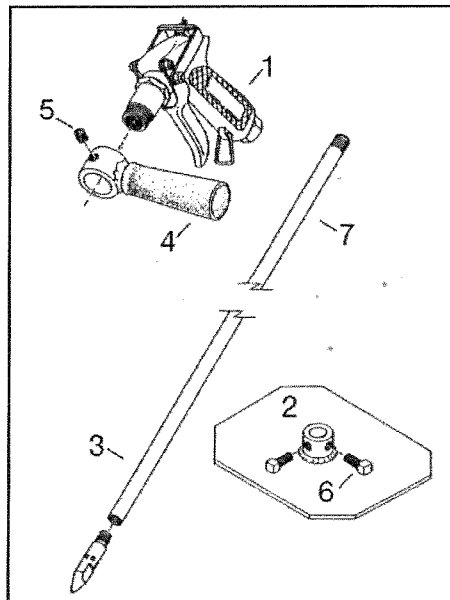
B&G Soil Rodding tools are designed to deliver liquid termiticide to soil depths around the perimeter of buildings.

APPLICATION TIP*

360° spray = 2 gal/min

* Tips are calibrated at 20 psi

SOIL RODDING TOOL		
#	Order#	Description
1	QCG	Valve assembly
2	34570	Push/Splash plate
3	454	Soil tip, 2 gal./min
4	34573	Push handle
5	34588	T-Handle
6	34588-S	Setscrew, 3/8"x3/4"
7	67900	Soil rod, 40" galv.



Care and Maintenance

- Flush the valve, application pipe and tip with clean water regularly.
- Soil tips should be replaced regularly (2-year cycle); insertion into soil can abrade and increase the nozzle opening and the threads on the rod and tip.
- Replace the expansion ring gasket when it becomes worn or damaged.

Trouble Shooting

Problem: Leaking around junction of the nosepiece and body of gun.

Solution:

- Remove nosepiece-adaptor and inspect shut-off valve and valve seat (gasket). Clean tip of shut-off valve, and turn over and replace valve seat (gasket) in the gun.
- QCG Repair Kit - 34601-V

Problem: Leaking at back of gun, around the large brass nut

Solution:

- Tighten the brass nut (gland nut) at the back of the gun. If leaking continues, disassemble the gun and replace the gasket and o-ring associated with the gland nut.

B&G Help Line 800-544-8811



135 REGION SOUTH DRIVE
JACKSON, GA 30233
Toll Free 800-544-8811
Phone 678-688-5601
Fax 678-688-5633
www.bgequip.com