



AEROSOL DELIVERY UNIT USER'S MANUAL

Safety Precautions

- Use only with a conventional, hand-held aerosol can.
- Do not attach or spray if the aerosol can is leaking.
- Do not inject aerosol into electric outlets or cable boxes.
- Turn valve to 'Off' (horizontal) position when can is not in use.
- Disconnect the delivery system when the aerosol can is empty of liquid.
- When detaching the delivery system, first turn valve to the Off position (horizontal), pull up on the lock ring, then lift unit off the can.
- Only use the recommended unit with the proper aerosol: Red hose units with Whitmire aerosol cans; Blue hose units with Waterbury aerosol cans.

Suggested Uses

This delivery system can be used with hand-held aerosol cans to apply solvent- or water-based insecticides. Treatment sites include exposed surfaces, cracks-and-crevices, and voids recommended by aerosol product labels.

Before Starting

- Inspect the coiled hose for breaks
- Inspect the junction between the coiled hose and the spray handle, and the coiled hose and the On/Off valve
- Turn valve to Off (horizontal) position
- Inspect spray tip and crack-and-crevice straw for dirt and obstruction

Connecting The Unit

- The aerosol can must be upright and on a level surface
- Remove the spray tip from the top of the aerosol can to expose the short plastic stem
- Center the Aerosol Unit above the stem, then push down firmly to insert the stem into the bottom of the Unit
- Push down the lock ring to secure the Aerosol Unit to the top of the can
- Attach the spray tip from the aerosol to the short stem on the application handle
- Turn the valve to the On position (vertical) to permit fluid from the can to full the coiled hose



Disconnecting The Unit

- Before disconnecting the unit, be certain the aerosol can is empty.
- Turn valve to the Off position and empty the hose by spraying into an approved location
- With the valve in the 'Off' position, pull up on the locking ring, then lift the canister clamp straight up and off the can

Care and Maintenance

- Keep the Unit away from extreme heat and sharp edges that can damage the hose.
- Always use the spray tip supplied with the aerosol can
- Replace Unit when hose, valve, or locking ring are damaged

Trouble Shooting

Problem: Clamp does sit securely on the top of the aerosol can

Solution: • It may be the incorrect Unit for the aerosol can: Red-hose Units are for Whitmire cans; Blue-hose Units are for Waterbury cans

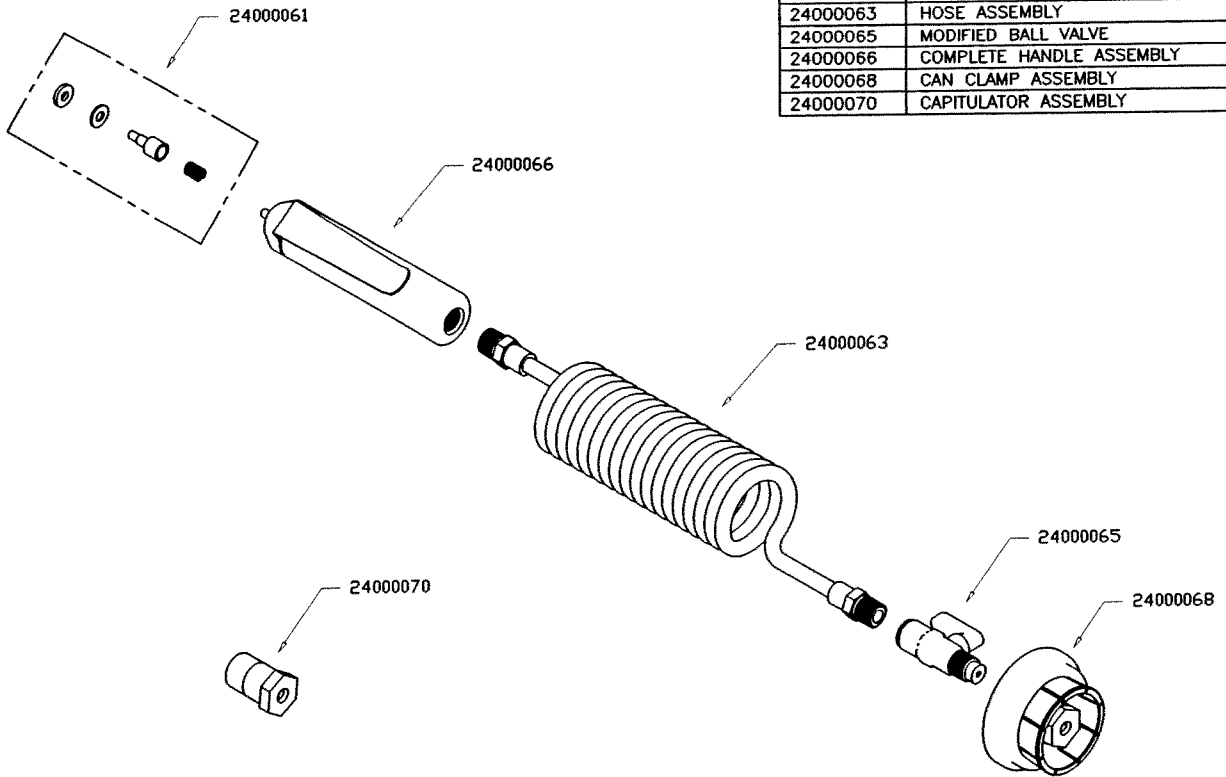
Problem: Fluid is released from the top of the can when Unit is removed

Solution: • Reduce the pressure and fluid in the hose by turning the valve Off and then making the last application. This will empty the hose.

B&G Help Line
800-544-8811

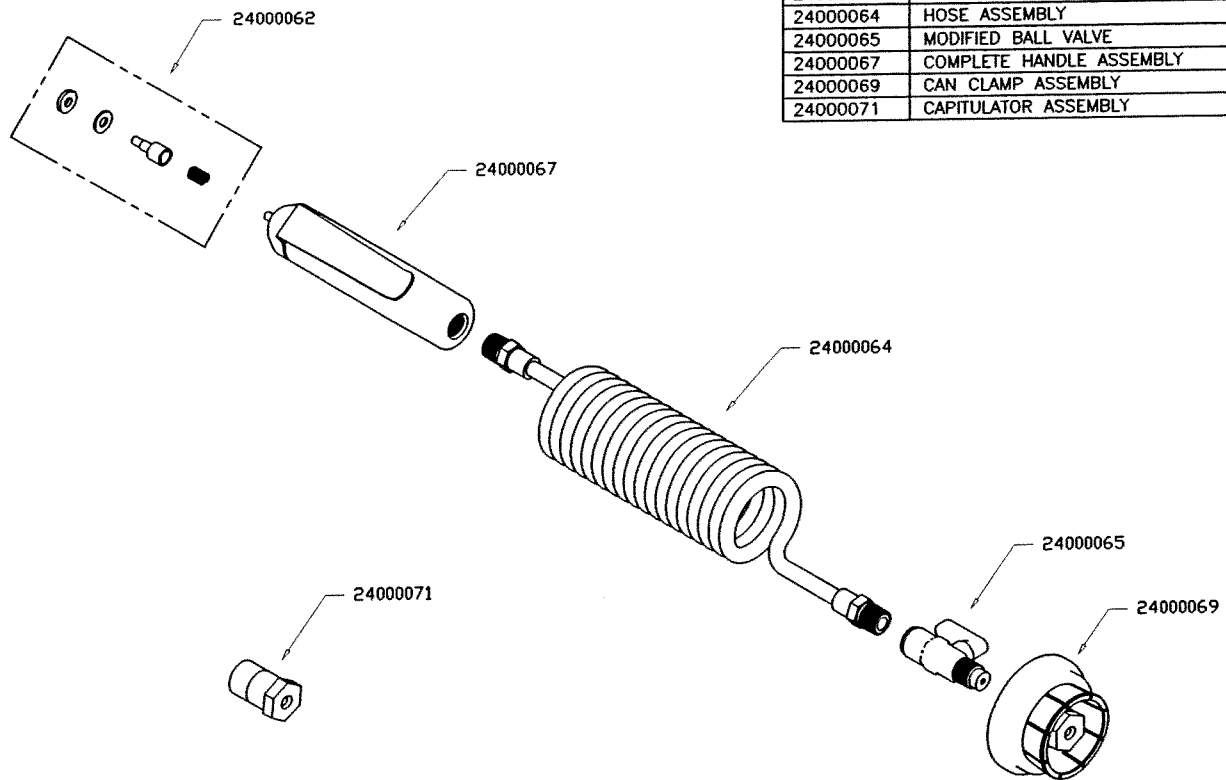


135 REGION SOUTH DRIVE • JACKSON, GA 30233
Toll Free 800-544-8811 • Phone 678-688-5601
www.bgequip.com • Fax 678-688-5633



NUMBER	DESCRIPTION
24000061	HANDLE REPAIR KIT
24000063	HOSE ASSEMBLY
24000065	MODIFIED BALL VALVE
24000066	COMPLETE HANDLE ASSEMBLY
24000068	CAN CLAMP ASSEMBLY
24000070	CAPITULATOR ASSEMBLY

DR. SKIP SMITH	NAME:	WATERBURY PARTS LIST	
UPDATE: 11-06-07			
DATE: 11-06-07			
SCALE: 1 TO 2			
		B & G EQUIPMENT COMPANY 135 Region South Drive Jackson, GA 30233 toll free: 800 544-8811 website: www.bgequip.com	DRAWING No. 95138444



NUMBER	DESCRIPTION
24000062	HANDLE REPAIR KIT
24000064	HOSE ASSEMBLY
24000065	MODIFIED BALL VALVE
24000067	COMPLETE HANDLE ASSEMBLY
24000069	CAN CLAMP ASSEMBLY
24000071	CAPITULATOR ASSEMBLY

DR. SKIP SMITH	NAME:	WHITMIRE PARTS LIST	
UPDATE: 11-06-07			
DATE: 11-06-07			
SCALE: 1 TO 2			
		B & G EQUIPMENT COMPANY 135 Region South Drive Jackson, GA 30233 toll free: 800 544-8811 website: www.bgequip.com	DRAWING No. 95138444