

# HURRICANE ES

Hand-carried electrostatic ULV fogger

CURTIS DYNA-FOG<sup>®</sup> Ltd.  
from **B&G**

## SPECIFICATIONS

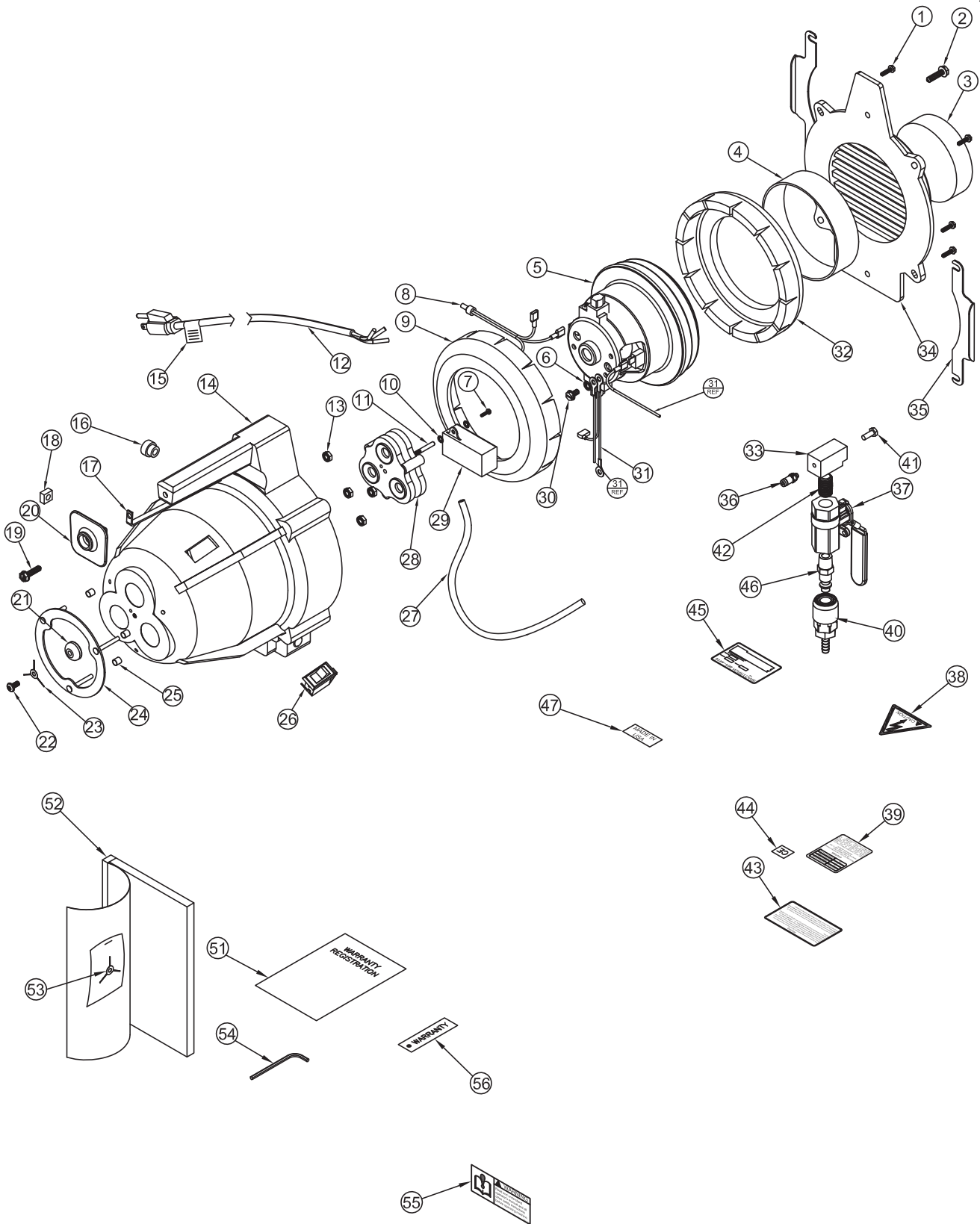
SYSTEM	Hand-carry
TANK SIZE	1-gal tank
WEIGHT	8 lbs (empty)
ADJUSTABLE FLOW RATES	0-6.6 oz/min, 3 gal/hr
DROPLET SIZE	30-50 microns, droplet throw 15 ft
COVERAGE	60-80 sq ft
ELECTROSTATIC THRESHOLD DISTANCE	12-18 in from front of the fogger
MODEL # 3001-5	110/120 volt AC, 6.8 amps, 50/60 hz
MODEL # 3001-6	220/240 volt AC, 3.4 amps, 50/60 hz
COMPATIBILITY	Water-based formulations
DIMENSIONS	H 16 in / W 10 in / L 9 in

SCAN FOR MORE  
PRODUCT DETAILS



## TROUBLESHOOTING

SYMPTOM	POSSIBLE CAUSE	CORRECTIVE ACTION	PART DIAGRAM REFERENCE (PG.2)
No liquid is flowing from the nozzles or spray is sporadic	Clogged liquid filter	Use flushing agent in tank to clean filter.	57
	Tubing connections are loose, or tubing is cracked, and air is entering the liquid system	Inspect all tubing connection and replace tubing if necessary.	27, 37
	Liquid in tank is low	Look for bubbles in tubing indicating source of air; tighten connection or replace tubing.	27, 37
		Refill tank.	57
Low air flow from nozzles	Clogged air intake filter	Remove foam air filter and wash using soap and warm water.	3
Fogger will not operate when switch is in On position, On/Off switch not lighted	No power at electrical outlet; extension cord damaged or wrong gauge	Inspect power cord connection, and cord for damage. Replace power cord if damaged.	12
Blower not running	Faulty blower/motor	Replace blower motor and motor gaskets.	5, 9
	On/off switch is not working	Replace On/Off switch.	26
	Loose wiring on blower	Have unit serviced by a qualified representative. Call 1-678-688-5601	
Dripping from nozzle	Flow rate set too high	Reduce meter valve setting.	33
	Extended run time	Allow pauses in application.	
Static shock occurs when touching charging ring or 3-prong electrode	Fogger is designed to create a static shock, so this is normal	Do not touch charging ring or electrode during operation. Always carry fogger by the handle to be grounded.	21, 53



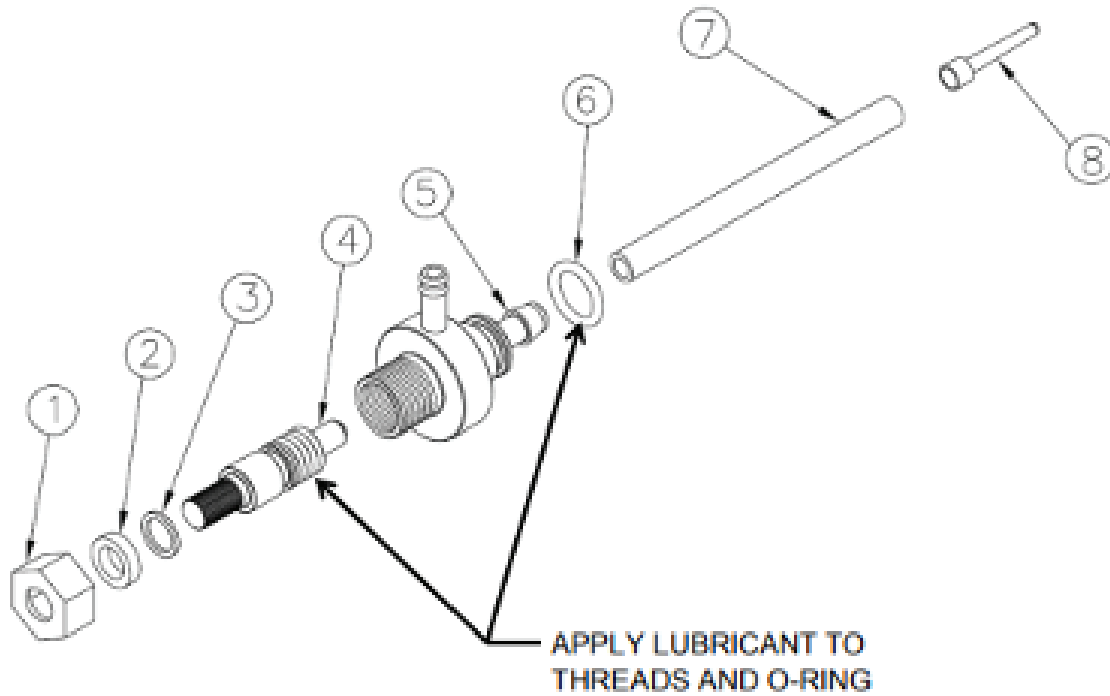
ITEM	QTY	PART #	ITEM DESCRIPTION
1	5	62161	SCREW, 10 X ¾ HIGH-LOW THR.
2	1	62160	SCREW, 10-16 X 1.25 SHWH.
3	1	62124	FILTER, AIR 3.875 DIA.
4	1	62144-1	SPACER, PVC, MOTOR
5	1	62147-1	MOTOR, BLOWER AY. 120V PANASONIC
	1	62147-3	REPLACEMENT BRUSH KIT (110V)
	1	62147-2	MOTOR, BLOWER AY., 240V, PANASONIC
	1	62147-4	REPLACEMENT BRUSH KIT (220V)
6	1	138530	WASHER, LOCK, #8, INTO, SST
7	1	65228	SCREW, 6-32X1/2, PHCR, SST
8	1	62189-1	WIRE AY., BLACK
9	1	62366	GASKET, FOAM, DIE CUT (.187 THK.)
10	1	138527	WASHER, LOCK, #6, INTO, SST
11	1	62187	STANDOFF, POWER SUPPLY, ES
12	1	62189-2	WIRE AY., POWER, WHITE, 110V
	1	62189-4	WIRE AY., POWER, WHITE, 220V
13	4	62212	NUT/WASHER, #10-24
14	1	62148	HOUSING (MACHINED)
15	1	86855	TAG, EXTENTION CORD INFORMATION
16	1	20180-3	STRAIN RELIEF (110V)
	1	20180-4	STRAIN RELIEF (220V)
17	1	62143	GROUND STRIP
18	1	62367	NUT, 3/8-16 SQUARE
19	1	62053-1	HAND STOP, SLOTTED
20	1	62162	SCREW 10-12 X ¾ SHWH
21	1	62186	BUTTON, ELECTRODE SUPPORT
22	1	62441	SCREW, #10-3/4", BUTTON
23	1	62172	ELECTRODE, 3-PRONG
24	1	62170	RING/STUD AY.
25	3	62171	SPACER, NYLON, .196 ID X .312 OD X .25 LONG
26	1	86819-1	SWITCH, LIT ROCK, 110V
	1	86819-2	SWITCH, LIT ROCK, 220V
27	1	62227-3	TUBE, BLUE, 3/16 ID. X 5/16 OD.
28	1	62045-34-1	NOZZLE AY., YELLOW MOD.

ALL REPLACEMENT PARTS ARE AVAILABLE FOR SALE

ITEM	QTY	PART #	ITEM DESCRIPTION
29	1	62173-1	POWER SUPPLY, 110V
	1	62173-2	POWER SUPPLY, 220V
30	1	9425089	SCREW, #8-32 X 3/8, HEX, SLOTTED
31	1	62189-3	WIRE AY., GREEN
32	1	62366-1	GASKET, FOAM, DIE CUT (.375 THK.)
33	1	62211	KNOB AY., FORMULATION
34	1	62002-54	HOUSING CLOSURE, BLUE
35	2	62233	BRACKET, SUPPORT, REAR HOUSING
36	1	62139	WASHER, KNOB
37	1	62195-2	VALVE AY., STAINLESS STEEL
38	1	62197	LABEL, WARNING, ELECTRIC SHOCK
39	1	62194	LABEL, CAUTION
40	1	62010-54	LOCKING HANDLE
41	1	21158-1	CLAMP, 5/16, PLASTIC
42	1	62128	WASHER, LOCKING HANDLE
43	1	62191	LABEL, WARNING/CAUTION
44	1	39056	LABEL, CE
45	1	62151-13	LABEL, ID, 120V
	1	62151-14	LABEL, ID, 240V
46	1	62083	WASHER, FRICTION
47	1	63409	LABEL, MADE IN USA
48	1	62131-1	CLEVIS, BLOWER (BLUE)
49	1	10000-343	O-RING
50	1	62135-1	CAP AY., TANK (BLUE)
51	1	20496	WARRANTY REGISTRATION TAG.
52	1	62149	MANUAL, HURRICANE ES
53	1	62172	ELECTRODE, 3-PRONG
54	1	62497	WRENCH, ALLEN, 5/64
55	1	62196	LABEL, WARNING, READ THE MANUAL
56	1	20495	WARRANTY TAG, 1 YEAR
57	1	62130-12	TANK, HURRICANE ES (MACHINED)
58	1	62198	LABEL, FLOW RATE INDICATOR
59	1	58652	RIVET, DRIVE, .187 X .6L (NATURAL)

ALL REPLACEMENT PARTS ARE AVAILABLE FOR SALE

# METERING VALVE



ITEM	PART #	ITEM DESCRIPTION
1	32692	NUT, PACKING
2	32690	WASHER, PACKING
3	32691	WASHER, BRASS
4	62319-2	STEM, METERING VALVE, STAINLESS STEEL
5	62180-1	VALVE BODY, STAINLESS STEEL
6	10100-110	O-RING
7	62227-1	TUBE, BLUE, 3/16 ID. X 5/16 OD.
8	80408	FILTER, LONG TAPERED, 130 MICRONS

ALL REPLACEMENT PARTS ARE AVAILABLE FOR SALE