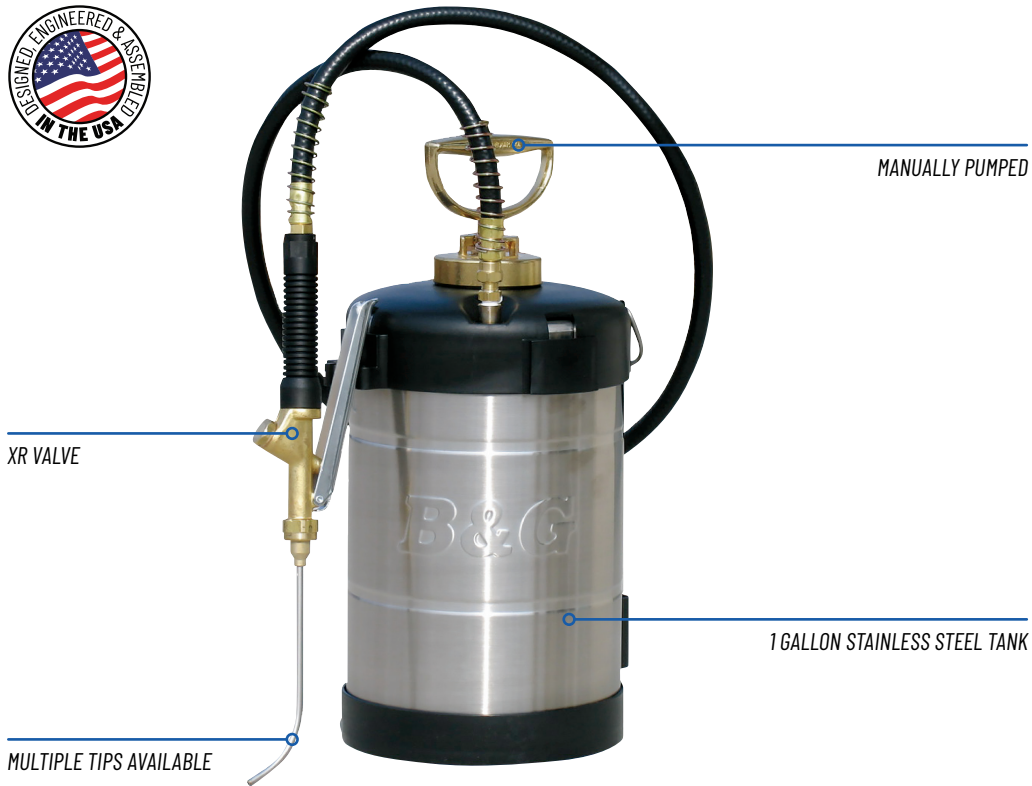
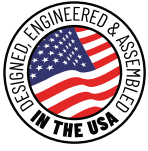


# VERSAFOAMER HH

Foam applications

# B&G



## FEATURES & BENEFITS

### PROFESSIONAL PEST CONTROL

Ideal handheld foamer for precision control in foam applications.

Efficient, no adjustments necessary. Easy to use and carry.

This handheld foamer is a natural choice for termite, ant, flies, and other insect control.

### TIP OPTIONS

Features a 6-in. curved tip designed for treating voids behind walls and cabinets.

Drain tip can be used to apply microbial cleaner to floor drains when needed.

### TANK

Generates 35-40 psi pressure.

Most parts interchangeable with standard B&G Primeline sprayer parts.

## INDUSTRIES

Pest control.  
Sanitation.

## COMPATIBILITY

Foaming agents.

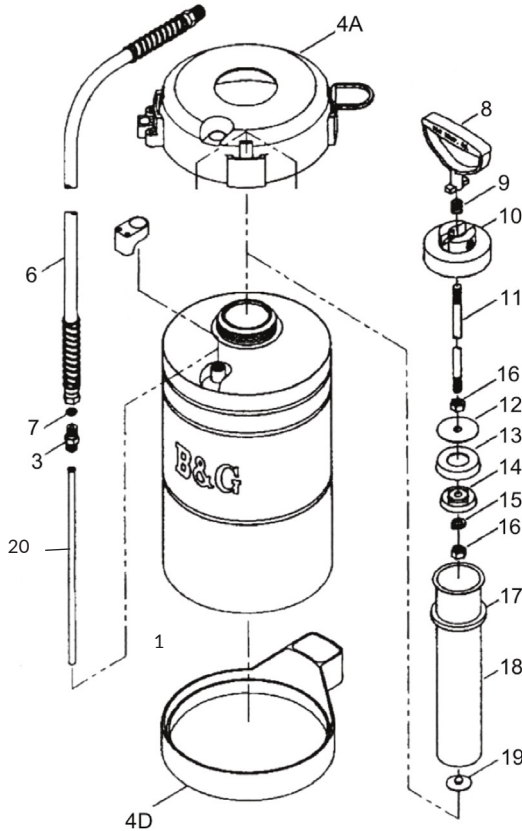
SCAN THIS QR CODE FOR PART INFORMATION FOR THE VERSAFOAMER HH.



DESCRIPTION	LEGACY PART #	ORDER #
Versafoamer HH	11007360	1108004195

## REPLACEMENT PARTS

DESCRIPTION	LEGACY PART #	ORDER #
Drain Tip	16200023	1108004768
Straight Tip	16200018	1108004767
6" Curved Tip	16200013	1208001095



#	DESCRIPTION	LEGACY PART #	ORDER #
1	Tank, 1 gal.	95146006	1208001613
3	Adapter, hose	22025300	1608003624
4a	Tank top	22049474	1208001202
4d	Tank bottom	22049477	1608003829
6	Hose, 4 ft.	22030200	1208001166
7	Hose washer	22030400	1608003605
8	Pump handle	22029800	1608003641
9	Pump lock spring	22029900	1608003644
10	Pump cap	22029700	10608003640
11	Plunger rod	22029500	1208001157
12	Back plate	22029200	1608003639
13	Polypropylene cup	22029000	1208001155
14	Cup spreader plate	22028600	1208001154
15	Lock washer	22028400	1608003636
16	Plunger nut	22028250	1608003635
17	Pump gasket	22028000	1608003634
18	Pump tube	22027500	1208001147
19	Check valve (3Pack)	22027200	1608003632
20	Siphon tube	22025701	128001133

## TROUBLESHOOTING

Problem	Solution
Tank not holding pressure	<ul style="list-style-type: none"> <li>Tighten the cap</li> <li>Replace tank gasket (22028000/1608003634)</li> </ul>
Tank not getting air pressure	<ul style="list-style-type: none"> <li>Replace plunger cup (22028600/1208001154)</li> <li>Replace check valve (22027200/1608003632)</li> </ul>
Pump cylinder filling with water when pumping	<ul style="list-style-type: none"> <li>Clean around the check valve at the bottom of the pump cylinder</li> <li>Replace check valve (22027200/1608003632)</li> </ul>
Holds pressure, but will not spray	<ul style="list-style-type: none"> <li>Nozzle clogged, clean with a soft brush</li> <li>Siphon tube clogged, clean end</li> <li>Clean strainer at the base of the valve, at the hose/valve junction</li> </ul>
Hose leaks at fitting to the tank	<ul style="list-style-type: none"> <li>Replace washer (22030400/1608003605) at base of hose</li> </ul>
No foam produces with the foam tip	<ul style="list-style-type: none"> <li>Add sufficient amount of foaming agent to the tank (1-3 oz. per gallon)</li> <li>Remove and clean the siphon tube</li> </ul>