



# SUB-SLAB TERMITICIDE APPLICATION TOOLS USER'S MANUAL

## Safety Precautions

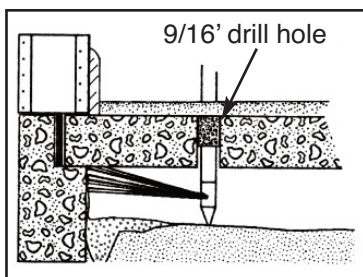
- Connect the tool to the supply hose and be certain the trigger is in the off position before turning on the pump.
- Do not adjust the tip while depressing the valve trigger.
- Before removing the tool from the supply hose, be certain to shut off pump and relieve pressure in the hose by depressing the trigger.
- Do not leave the tool unattended when the valve is in the ON position.
- Wear personal protection equipment that protects hands, face, eyes, and mouth.
- Read and follow all label directions on liquid termiticides before making an application.

## Before Starting

- Inspect the hose, hose connections to the valve and the pump, injection pipe, and nozzle for signs of wear or damage. These parts must be in full working condition for proper application.
- It is recommended that this tool is used at low (25 psi) pressure, and that liquid termiticides are applied at low pressure.

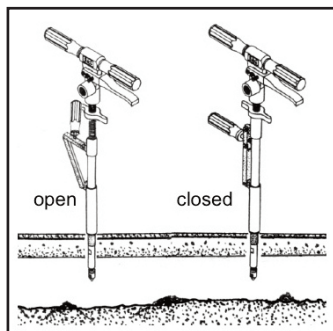
## Application Drill Hole

Drill a 9/16" or larger hole for treating beneath concrete slabs with the Sub-Slab Injection pipe; using smaller holes will damage the pipe and the expansion ring gasket.

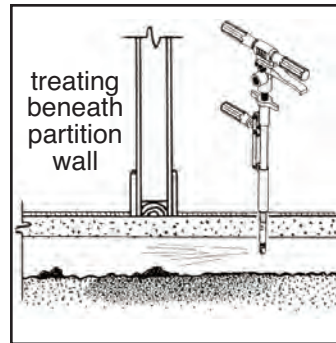


## Operation

B&G Sub-Slab Injection tools are designed to deliver liquid to voids beneath concrete slabs or other suspended floors.



## Application Tips

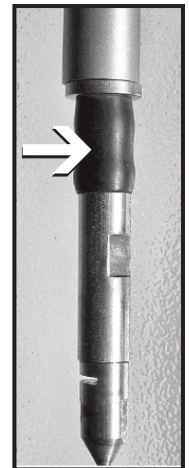


360° spray = 2 gal/min  
180° spray = 2 gal/min  
\* Tips are calibrated at 20 psi

The 180° tips are for directional application; align tip so that termiticide will be directed at the foundation wall or beneath partition wall.

## Care and Maintenance

- Flush the valve, application pipe and tips with clean water regularly. Termiticide residue can reduce the operation and accuracy of valves and tips.
- Soil tips should be replaced regularly (2-year cycle); insertion into soil can abrade and increase the nozzle opening and the threads on the rod and tip.
- Replace the expansion ring gasket when it becomes worn or damaged.



## Trouble Shooting

**Problem:** Leaking where trigger attaches to the valve  
**Solution:** • Replace both o-rings on the valve rod; disassemble the trigger and push rod out from above

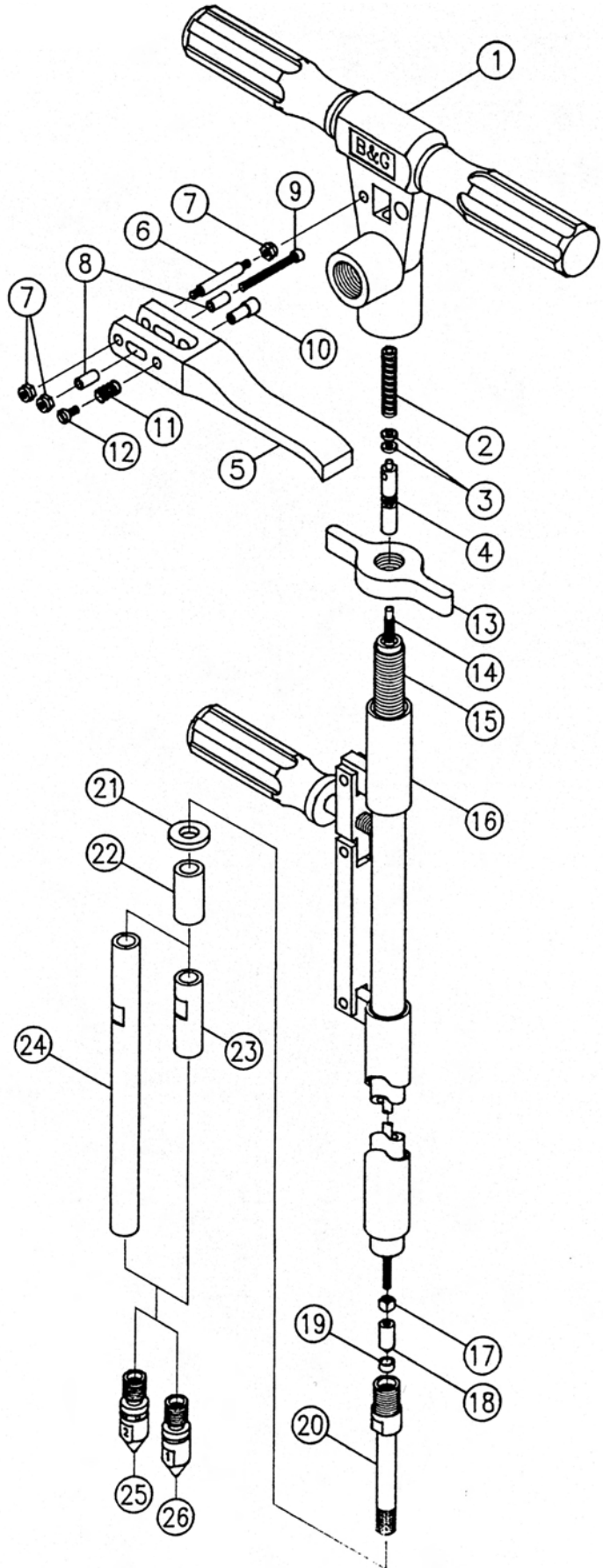
**Problem:** Leaking at pipe connection to the valve  
**Solution:** • Use hex wrench to righten seat gasket holder, or remove and replace seat gasket

**Problem:** Leaking at connection to the extension pipe  
**Solution:** • Replace expansion ring gasket

# SUB-SLAB TERMITICIDE APPLICATION TOOL

## SUB-SLAB INJECTOR (SSI-4, SSI-14)

#	Order #	Description
1	VT-610	Valve assembly
2	VT-618	Rod spring
3	I-1964	O-Ring
4	2673	Valve rod
5	VT-611	Valve trigger
6	VT-609	Trigger pin
7	TN-45	Hex nut
8	1138	Spacer
9	VT-612	Rod screw
10	VT-615	Trigger lock
11	VT-616	Trigger spring
12	VT-617	Trigger screw
13	22065300	Wing nut
14	2674	Extension rod for #4
	2675	Extension rod for #14
15	2668	Shaft for #4
	2669	Shaft for #14
16	400	Lock sleeve for #4
	500	Lock sleeve for #14
17	SSL-157	Seat stem lock nut
18	2676	Seat stem
19	2677	Seat gasket
20	2678	Stud
21	#5	Compression ring
22	#6	Expansion ring gasket
23	1370	Tip adapter
24	LDT-36	Extension, 6 in.
25	1390	360°, 2 gpm
26	1542	180° fan, 2 gpm



B&G Help Line  
**800-544-8811**



135 REGION SOUTH DRIVE • JACKSON, GA 30233  
Toll Free 800-544-8811 • Phone 678-688-5601  
www.bgequip.com • Fax 678-688-5633